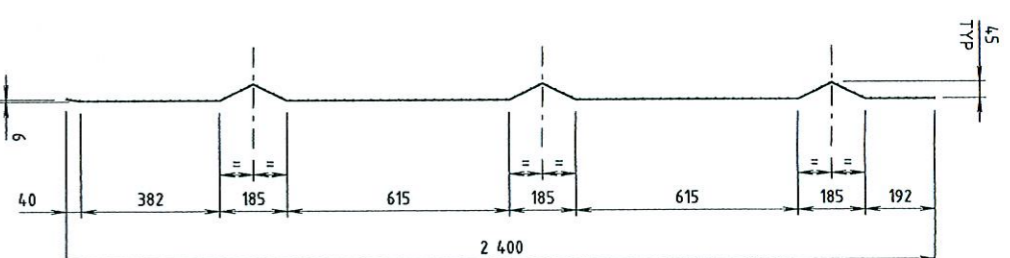
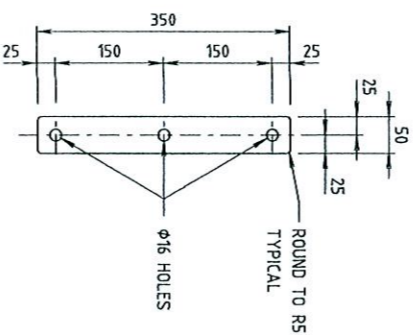


ELEVATION  
WELDED STEEL MESH PANEL  
172 REQUIRED

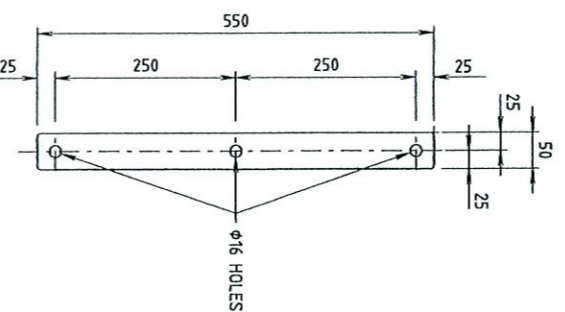


SIDE VIEW

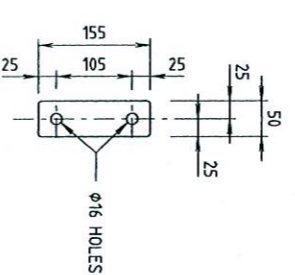
MESH TIE PLATE LAYOUT



TIE PLATE TYPE T1  
CUT FROM 50 x 5 FLAT  
344 REQUIRED



TIE PLATE TYPE T2  
CUT FROM 50 x 5 FLAT  
688 REQUIRED



TIE PLATE TYPE T3  
CUT FROM 50 x 5 FLAT  
344 REQUIRED

